

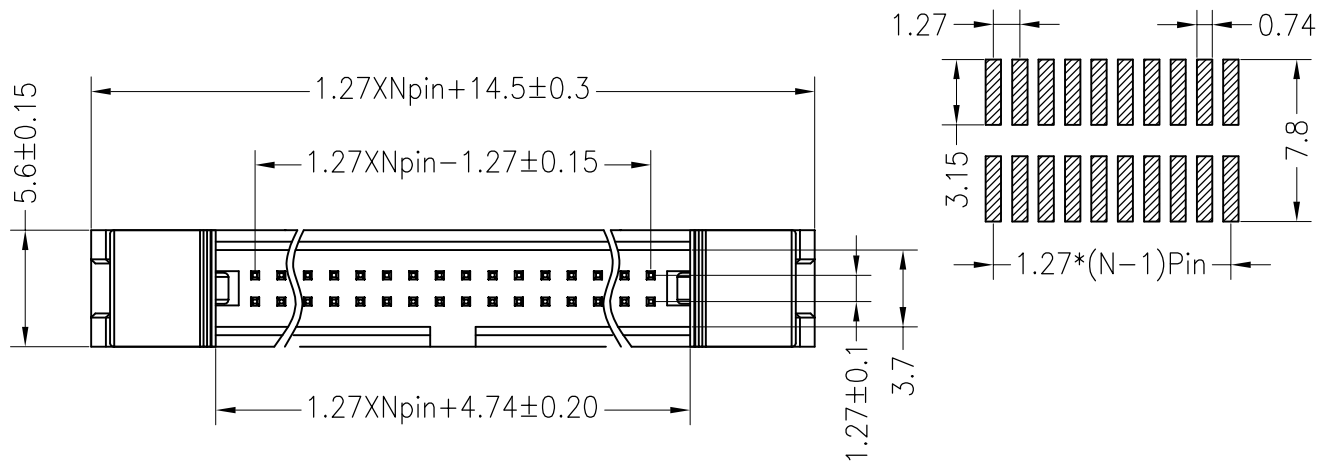


SPECIFICATIONS

Rated Current:1.0AMP
 Contact Resistance:20mΩ Max
 Withstand Voltage:500V AC/DC
 Insulation Resistance:1000MΩ Min
 Operation Temperature:-40°C to +105°C

Contact Material:Brass
 Contact Plating:Au or Sn Over Ni
 Insulator Material:Polyester(UL94V-0)
 Standard: PA6T
 Max.Processing Temp: 230°C for 30-60 seconds
 (260°C for 10 seconds)

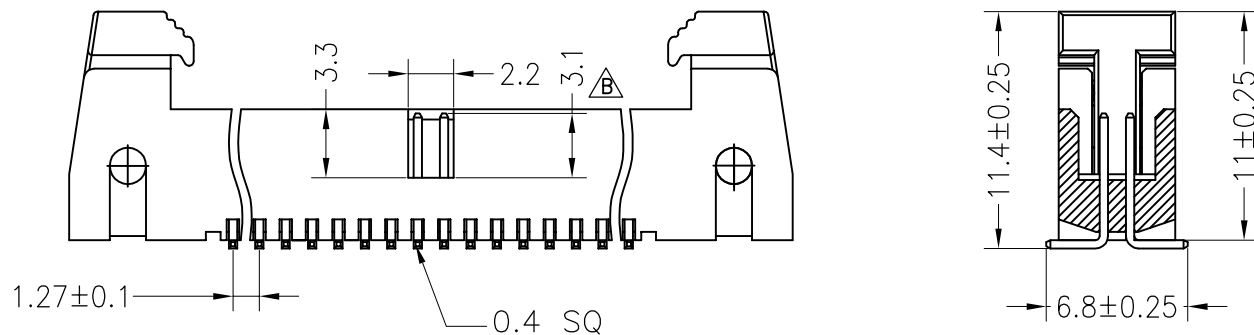
Recommended P.C.B Layout(Top Side)
 (PCB BOARD TOLERANCE±0.05)



Ordering Information

3330 XX M XX X X S X 01

- No.of Pins: 06~80P
- Contact Plating: G1:1U" Gold, G2:1.5U" Gold, G3:2U" Gold, G4:3U" Gold, G5:5U" Gold, S0:Gold Flash/Tin, SN:Tin
- Insulator Material Option: A=BK-PBT, C=BK-PA6T, D=BK-PA46, E=BK-PA9T, F=BK-LCP
- Color Type: B=Black, G=Grey
- Packing: 0=PE Bag, A=Tray, T=Tube, P=Tube+Cap, R=Reel+Cap



				OPERATION		DRAW	YiYuSheng	16.01.19	SCALE	FIT	JILN 深圳市锦凌电子有限公司 SHENZHEN JINLING ELECTRONIC CO.,LTD Tel: 86-755-2997-5806/5802 Fax: 86-755-2997-5992		
				X.X	±0.30				UNIT	mm			
B	2016.01.19	Change Size 2.80mm → 3.10mm		X.XX	±0.20	CHECK		SIZE	A4	PART NO.			3330XXMX01
A0	2012.10.05	NEW DRAWING		X.XXX	±0.10	APPROVE		SHEET	1/1	TITLE:			1.27 ejector header Npin SMT
REV	DATE	MODIFICATION DESCRIPTION	CHANGE	DIM	TOL			PROJ.					
1	2	3	4	5	6	7	8	9					