

## SPECIFICATIONS

Rated(额定参数): 125V, 4A  
 Dielectric strength(抗电强度): AC1500V/1 Minute  
 Insulation Resistance(绝缘电阻): 1000MΩ Min  
 Contact Resistance(接触电阻): 20mΩ Max  
 Screw Torque(扭矩): 0.1Nm (0.9Lb.in)  
 Wire Range(线径): 28~20AWG  
 Strip length(剥线长度): 5-6mm  
 Temp. range(操作温度): -40°C~+105°C  
 MAX Soldering(瞬时温度): +250°C, 5s

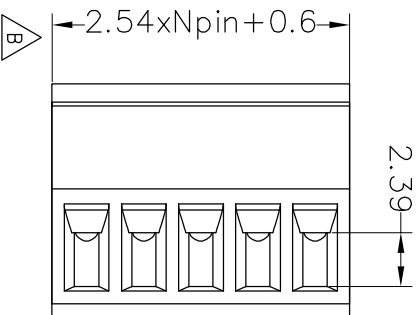
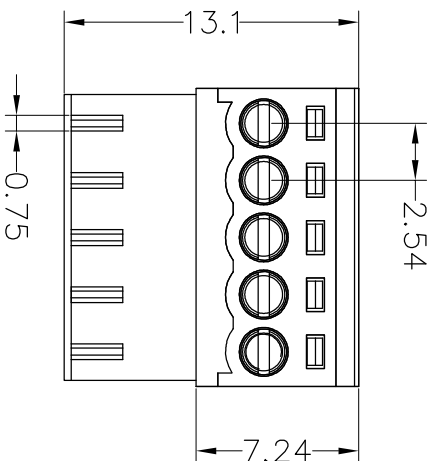
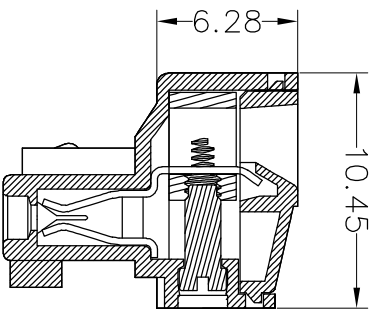
Housing Material(塑件): PA66 (UL94 V-0)  
 Contact(端子): Brass, Tin plating(黄铜镀锡)  
 Clamp(方块): Brass/Steel(铜/铁), Ni plating(镍)  
 Screw (螺丝): M2, Steel, Zinc plating(钢,镀锌)


PITCH RANGE		NOMINAL DIMENSION RANGE					
IN MM		IN MM		IN MM		IN MM	
OVER	TO	OVER	TO	OVER	TO	OVER	TO
6	10	30	60	100	150	150	150
±0.10	±0.15	±0.25	±0.30	±0.30	±0.50	±0.70	±1.00

## Ordering Information

JL15EDGY - 254 XX X X 1

Pitch 254=2.54PH  
 No. of pins 2P, 3P, 4P~24P  
 Housing Color  
 B=Black  
 G=Green  
 U=Blue  
 R=Red  
 W=White  
 Y=Yellow  
 O=Orange  
 F=Grey  
 Packing  
 0=Pe bog  
 T=Tube  
 A=Troy



OPERATION		DRAW		SCALE		FIT		TITLE:	
XX	±0.30	yiyusheng	19.01.11	UNIT	mm	1/1	1/1	PART NO.	JL15EDGY-254XXXXX1
X:XX	±0.20	CHECK		SIZE	A4				
X:XXX	±0.10			SHEET	1/1				
Angle	±3'	APPROVE		PROU.					
DIM	TOL								
CHANGE									
MODIFICATION DESCRIPTION									
DATE									
REV									
2019.01.11	Change Size								
2017.03.10	NEW DRAWING								

**JILIN** 深圳市锦凌电子有限公司  
 SHENZHEN JINLING ELECTRONIC CO.,LTD  
 Tel: 86-755-2997-5806/5802 Fax: 86-755-2997-5992

2.54 Pitch Female Pluggable Terminal Blocks