

SPECIFICATIONS

Rated Current: 1.5AMP
 Contact Resistance: 20mΩ Max
 Withstand Voltage: 500V AC/DC
 Insulation Resistance: 1000MΩ Min
 Operation Temperature: -40°C to +105°C

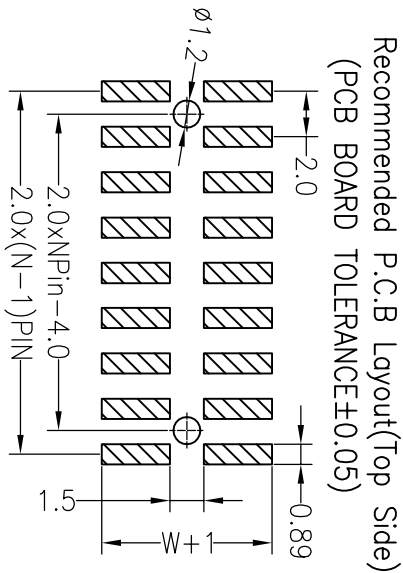
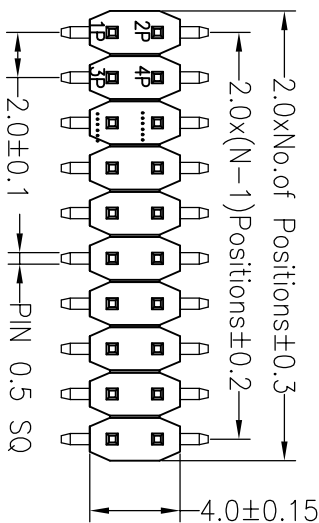
Contact Material: Brass

Contact Plating: Au or Sn Over Ni

Insulator Material: Polyester (UL94V-0)

Standard: PA6T

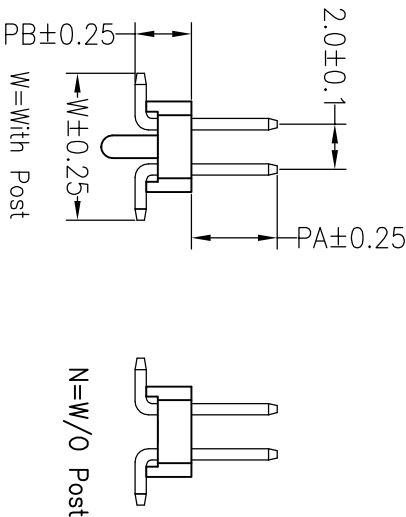
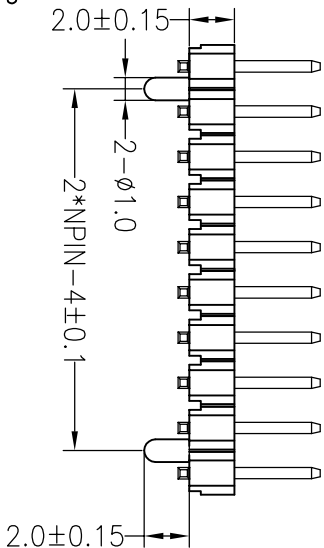
Max. Processing Temp: 230°C for 30-60 seconds
 (260°C for 5 seconds)



Ordering Information

1320 1 2 XX X X XX M XXX X 01

No. of Pins Per Row: 2*40
 Insulator Material Option:
 A=BK-PBT
 C=BK-PA6T
 D=BK-PA46
 E=BK-PA9T
 F=BK-LCP
 Post: W=With Post, N=W/O Post
 Contact Plating:
 G0:Gold Flash
 G1:1U" Gold
 G2:1.5U" Gold
 G3:2U" Gold
 G4:3U" Gold
 G5:5U" Gold
 SN:Gold Flash/Tin
 Packing:
 0=PE Bag
 A=Troy
 T=Tube
 P=Tube+Cap
 R=Reel+Cap



Dimension antitheses list				
ITEM	PA	PB	W	L
Standard	3.80	2.50	6.50	8.00

REV	DATE	MODIFICATION DESCRIPTION	CHANGE
A0	2019.09.19	NEW DRAWING	
1			

OPERATION		DRAW	YTYuSheng	19.09.19
X.X	±0.30			
X.XX	±0.20	CHECK		
X.XXX	±0.10			
Angle	±3°	APPROVE		
DIM	TOL			

SCALE	FIT		
UNIT	mm	深圳市锦凌电子有限公司 SHENZHEN JINLING ELECTRONIC CO.,LTD Tel: 86-755-2997-5806/5802 Fax: 86-755-2997-5892	
SIZE	A4	PART NO.	132012XXXXXXMXXXX01
SHEET	1/1	TITLE:	2.0PH 2xNpin H2.0MM SMT