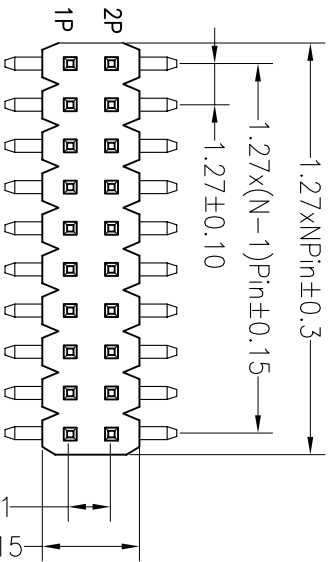




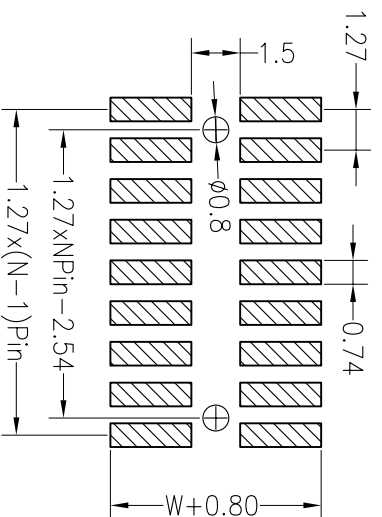
FILE NO. EK82910

SPECIFICATIONS

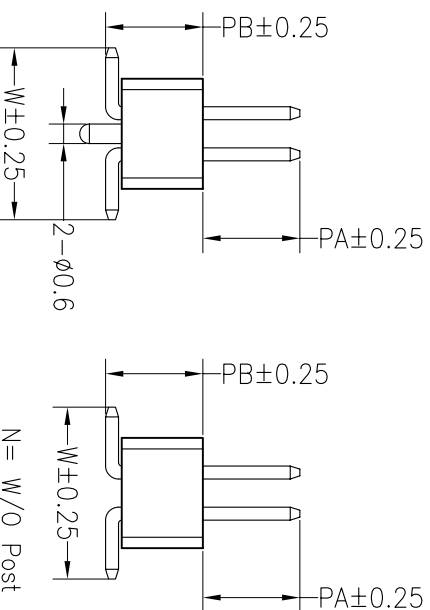
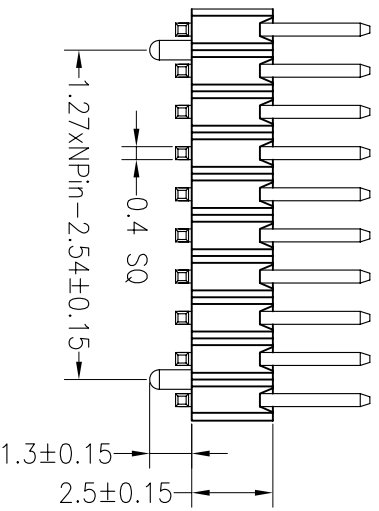
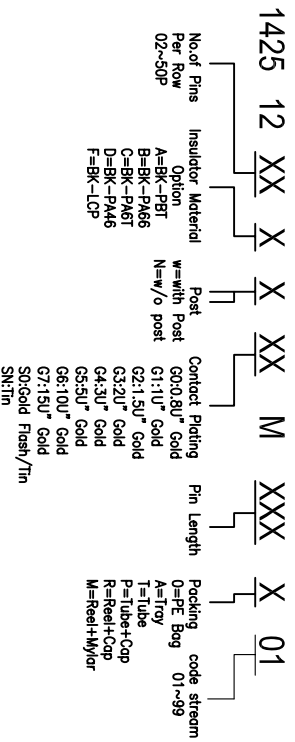
Rated Current: 1.0AMP
 Contact Resistance: 20mΩ Max
 Withstand Voltage: 500V AC/DC
 Insulation Resistance: 1000MΩ Min
 Operation Temperature: -40°C to +105°C
 Contact Material: Brass
 Contact Plating: Au or Sn Over Ni
 Insulator Material: Polyester (UL94V-0)
 Standard: PA6T
 Max. Processing Temp: 230°C for 30-60 seconds
 (260°C for 10 seconds)



Recommended P.C.B Layout (Top Side)
 (PCB BOARD TOLERANCE ±0.05)



Ordering Information



W = With Post

Dimension antitheses list

ITEM	PA	PB	W	L
Standard	4.00	3.00	5.50	8.70
Alternate				

JILIN 深圳市锦凌电子有限公司
 SHENZHEN JINLING ELECTRONIC CO.,LTD
 Tel: 86-755-2997-5806/5802 Fax: 86-755-2997-5992

OPERATION	DRAW	LUJIANJUN	16.05.23	SCALE	FIT	PART NO.	TITLE:
X.X	±0.30			UNIT	mm		
X.XX	±0.20	CHECK		SIZE	A4	142512XXXXXXMXXXX01	
X.XXX	±0.10			SHEET	1/1		
Angle	±3°	APPROVE		PROJ.			1.27PH 2xNPin H2.5 SMT
DIM	TOL						

REV	DATE	MODIFICATION DESCRIPTION	CHANGE
A0	2012.04.19	NEW DRAWING	
1			