

## SPECIFICATIONS

Rated Current: 3.0AMP  
 Contact Resistance: 20mΩ Max  
 Withstand Voltage: 1000V AC/DC  
 Insulation Resistance: 1000MΩ Min  
 Operation Temperature: -40°C to +105°C

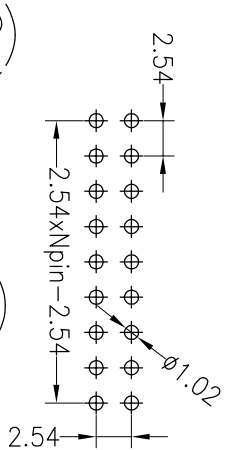
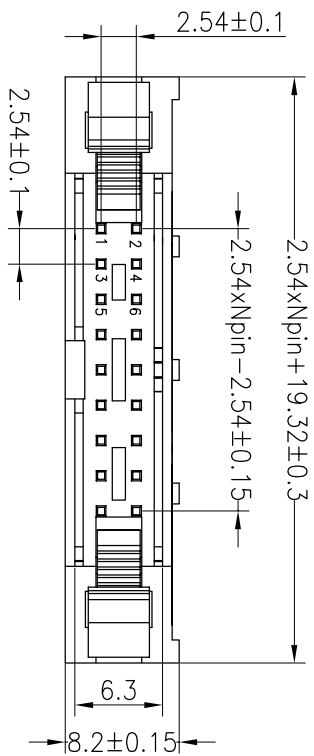
Contact Material: Brass  
 Contact Plating: Au or Sn Over Ni  
 Insulator Material: Polyester (UL94V-0)  
 Standard: PBT  
 Max. Processing Temp: 180°C for 30-60 seconds  
 (200°C for 10 seconds)

## Ordering Information

3310 XX S XX X X X X 01

No. of Pins Per Row: 6-64  
 Contact Plating: G0:Gold Flash, G1:11" Gold, G2:15U" Gold, G3:2U" Gold, G4:3U" Gold, G5:5U" Gold, G6:10U" Gold, G7:15U" Gold, S0:Gold Flash/Tin, SMTin  
 Insulator Material Option: A=BK-PBT, C=BK-PA6T, D=BK-PA46, F=BK-PA9T, F=BK-LCP  
 Color Type: B=Black, G=Grey  
 Latch Type: L=Long Latch, S=Short Latch, N=Without Latch  
 Packing: O=PE Bag, A=Troy, T=Tube, P=Tube+Cap, SMTin

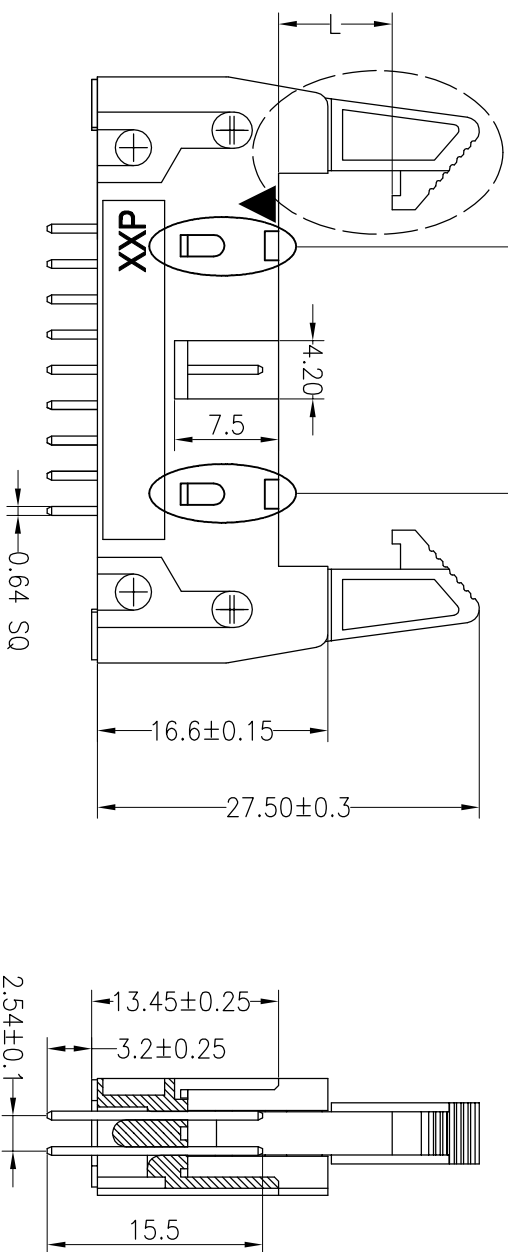
Recommended P.C.B Layout (Top Side)  
 (PCB BOARD TOLERANCE±0.05)



below 20Pos without the central hole

Long Latch(长耳扣)

Short Latch(短耳扣)



OPERATION		DRAW		SCALE		FIT		TITLE:	
X.X ±0.30		YYuSheng		UNIT		mm		PART NO. 3310XXSXXXXX01	
X.XX ±0.20		19.09.21		SIZE		A4		2.54 ejector header Npin 180°	
X.XXX ±0.10		CHECK		SHEET		1/1			
Angle ±3°		APPROVE		PROJ.					
TOL									
CHANGE									
DIM									
DATE		MODIFICATION DESCRIPTION		DATE		DATE		DATE	
2019.09.21		NEW DRAWING							
REV									
A0									
1									

**JILIN** 深圳市锦凌电子有限公司  
 SHENZHEN JINLING ELECTRONIC CO.,LTD  
 Tel: 86-755-2997-5806/5802 Fax: 86-755-2997-5892