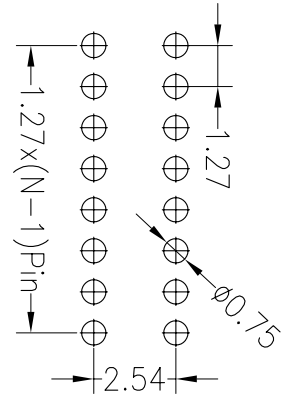
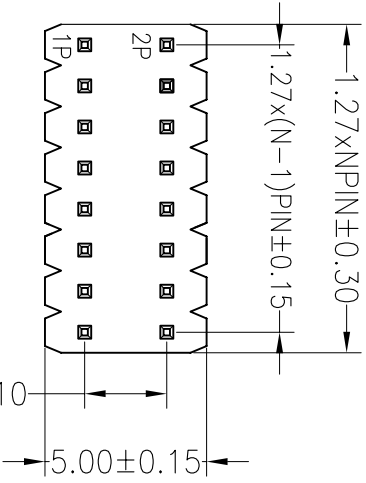


## SPECIFICATIONS

Rated Current:1.0AMP  
 Contact Resistance:20mΩ Max  
 Withstand Voltage:500V AC/DC  
 Insulation Resistance:1000MΩ Min  
 Operation Temperature:-40°C to +105°C

Contact Material:Brass  
 Contact Plating:Au or Sn Over Ni  
 Insulator Material:Polyester(UL94V-0)  
 Standard: PA6T  
 Max.Processing Temp: 230°C for 30-60 seconds  
 (260°C for 10 seconds)

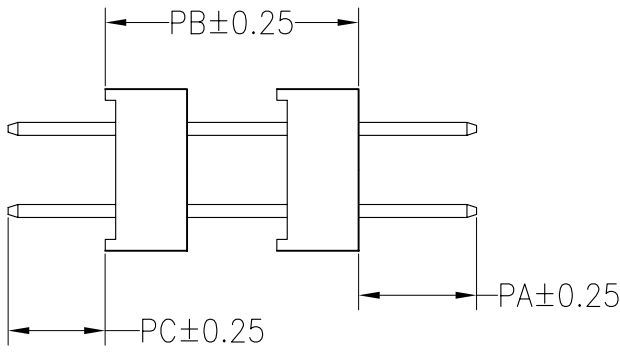
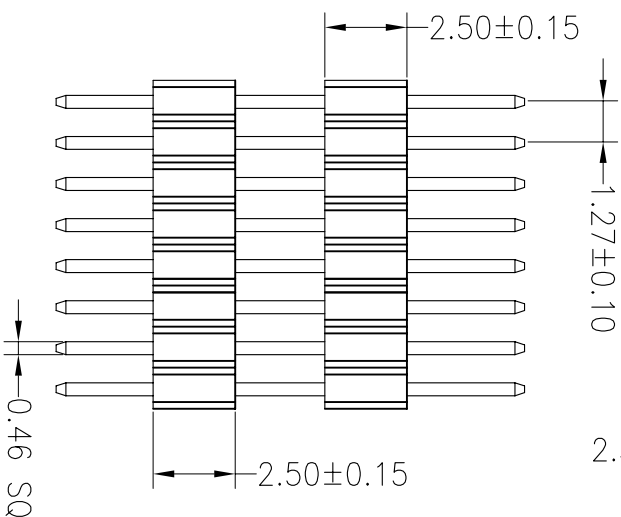
Recommended P.C.B Layout(Top Side)  
 (PCB BOARD TOLERANCE±0.05)



## Ordering Information

1525 22 XX X N XX S XXX X 01

No. of Pins Per Row: 2\*1~2\*50  
 Insulator Material Option:  
 A=BK-PBT  
 B=BK-PA66  
 C=BK-PA6T  
 D=BK-PA46  
 E=BK-PA9T  
 F=BK-LCP  
 Contact Plating:  
 G0:Gold Flash  
 G1:3U" Gold  
 G2:5U" Gold  
 G3:10U" Gold  
 G4:15U" Gold  
 G5:30U" Gold  
 SN:Tin  
 Pin Length:  
 Packing:  
 O=PE Bag  
 A=Tray  
 T=Tube  
 P=Tube+Cap  
 R=Reel+Cap  
 M=Reel+Mylar



ITEM	PA	PB	PC	L
Standard	2.80	5.00	1.80	9.60
Alternate				

REV	DATE	MODIFICATION DESCRIPTION	CHANGE	OPERATION	DRAW	Ben	12.03.28	SCALE	FIT	PART NO.	TITLE:
A0	2012.03.28	NEW DRAWING		X.X ±0.30	CHECK			mm	A4	152522XXXXXXX01	1.27*2.54PH 2*H2.5mm 2xNpin DIP
1				X.XX ±0.20				mm	1/1		
				X.XXX ±0.10				mm	1/1		
				Angle ±3°	APPROVE			mm	1/1		
				DIM TOL				mm	1/1		

**JIN** 深圳市锦凌电子有限公司  
 SHENZHEN JINLING ELECTRONIC CO.,LTD  
 Tel: 86-755-2997-5806/5802 Fax: 86-755-2997-5992