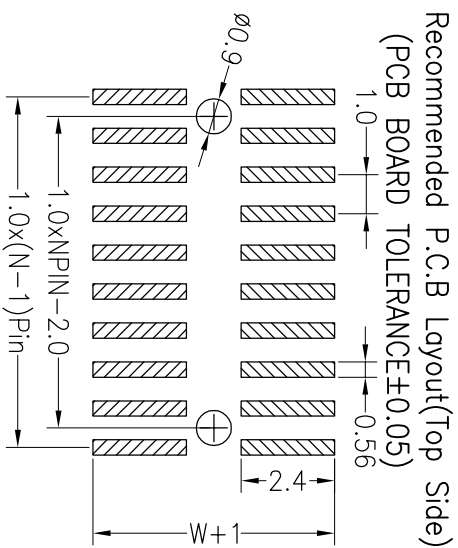
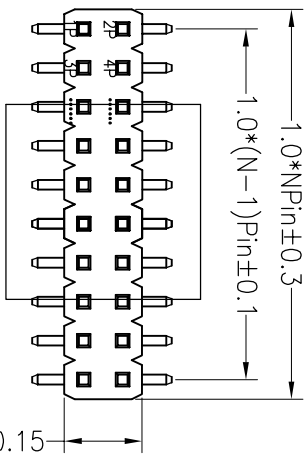




SPECIFICATIONS

Rated Current: 0.75AMP
 Contact Resistance: 30mΩ Max
 Withstand Voltage: 500V AC/DC
 Insulation Resistance: 1000MΩ Min
 Operation Temperature: -40°C to +105°C

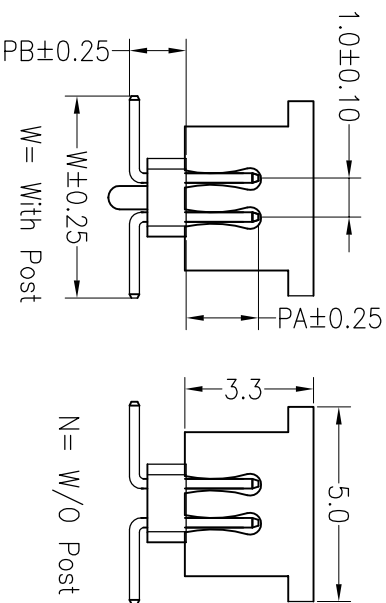
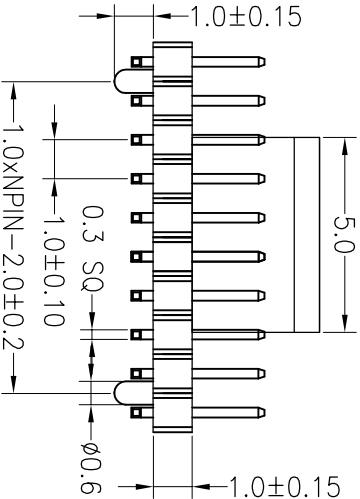
Contact Material: Brass
 Contact Plating: Au Over Ni
 Insulator Material: Polyester (UL94V-0)
 Standard: PA6T
 Max. Processing Temp: 230°C for 30-60 seconds
 (260°C for 10 seconds)



Ordering Information

1610-12XX X X XX M XXX X 01

No. of Pins Per Row: 2x50
 Insulator Material Option: A=BK-PBT, C=BK-PA6T, D=BK-PA46, E=BK-PA9T, F=BK-LCP
 Post: W=With Post, N=W/O Post
 Contact Plating: G1:1U" Gold, G2:1.5U" Gold, G3:2U" Gold, G4:3U" Gold, G5:5U" Gold
 Pin Length: SN: Tin
 Packing: O=PE Bag, A=Troy, T=Tube, P=Tube+Cap, R=Reel+Cap, M=Reel+Mylar



| Dimension antitheses list | | | | |
|---------------------------|------|------|------|------|
| ITEM | PA | PB | W | L |
| Standard | 1.80 | 1.40 | 5.20 | 5.00 |

| OPERATION | | DRAW | | SCALE | | FIT | | PART NO. | |
|-----------|-------|---------|----------|-------|----|-----|-----|----------------------|----------------------------|
| DIM | TOL | APPROVE | YTuSheng | UNIT | mm | A4 | 1/1 | 1610-12XXXXXXMXXXX01 | 1.00PH 2xnPin H1.0 SMT 夹持盖 |
| X.X | ±0.30 | CHECK | 12.04.19 | | | | | | |
| X.XX | ±0.20 | | | | | | | | |
| X.XXX | ±0.10 | | | | | | | | |
| Angle | ±3° | | | | | | | | |

JILIN 深圳市锦凌电子有限公司
 SHENZHEN JINLING ELECTRONIC CO.,LTD
 Tel: 86-755-2997-5806/5802 Fax: 86-755-2997-5892

| REV | DATE | MODIFICATION DESCRIPTION | CHANGE |
|-----|------------|--------------------------|--------|
| A0 | 2012.04.19 | NEW DRAWING | |
| 1 | | | |